

(4) #4-40 UNC-2B X 5/16" LG CAP SCREW

(4) #4 LOCKWASHER

(4) #4 FLATWASHER

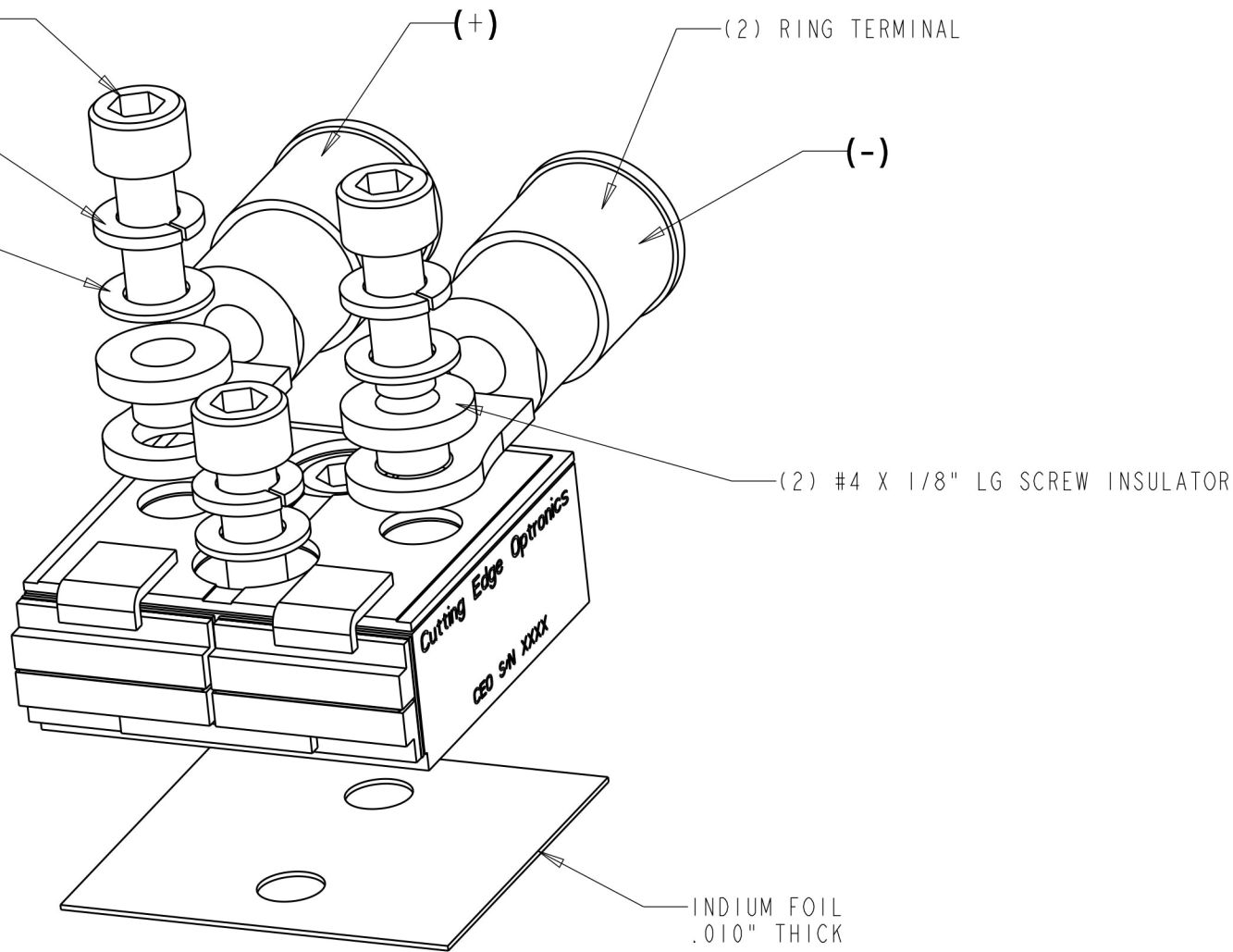
(+)

(2) RING TERMINAL

(-)

(2) #4 X 1/8" LG SCREW INSULATOR

INDIUM FOIL  
.010" THICK



***NORTHROP GRUMMAN***

**Cutting Edge Optonics**

**AA PACKAGE G.B. MOUNTING**

DIMENSIONS ARE IN INCHES AND INCLUDE  
CHEMICALLY APPLIED OR PLATED FINISHES

GENERAL TOLERANCES UNLESS NOTED:

X.X = ±.1      X.XXX = ±.005  
X.XX = ±.01      ANGLES = ±.5°

SIZE	MOUNTING-AA-PACK-GOLDEN-BULLET	REV
A		-
SCALE: NONE		SHEET 1 OF 1